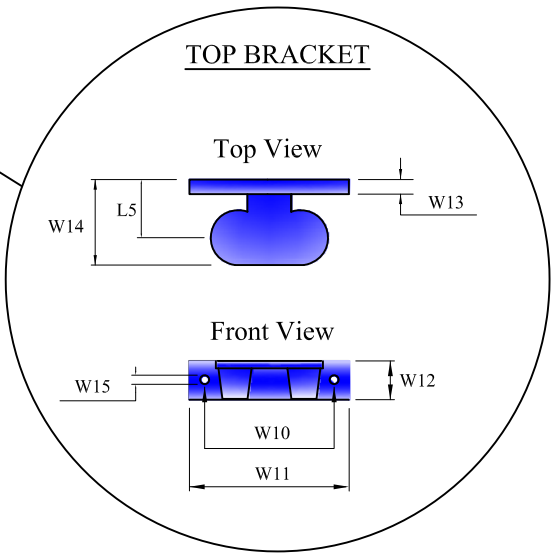
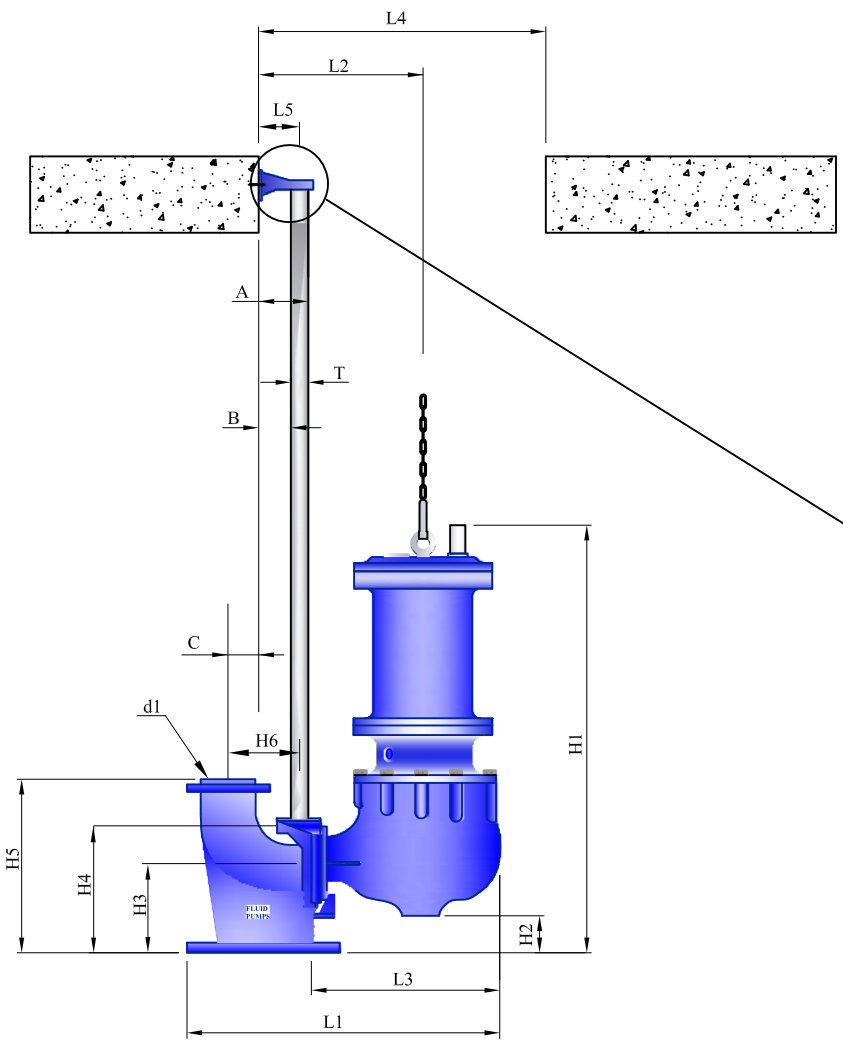
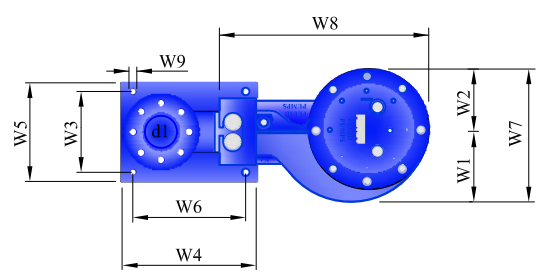




Submersible Pump & Mixer  
Manufacturer.



## DN 100 Under Water Quick Coupler



VX80 - 55/90 - 2/4 Dn 100	
A	90.00
B	42.00
C	134.00
T	48.00
L1	730.00
L2	372.00
L3	440.00
L4	900.00
L5	66.00
H1	1100.00
H2	100.00
H3	255.00
H4	370.00
H5	425.00
H6	200.00
W1	190.00
W2	170.00
W3	200.00
W4	300.00
W5	250.00
W6	250.00
W7	360.00
W8	550.00
W9	18.20
W10	180.00
W11	220.00
W12	50.00
W13	12.00
W14	90.00
W15	12.00
d1	100.00
Flange: NB100 BS 4504 / 1600 kPa	