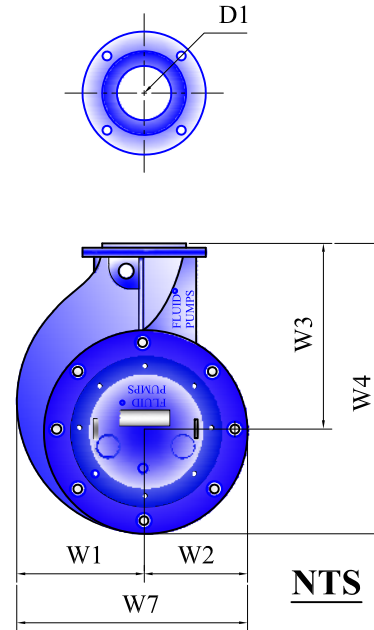
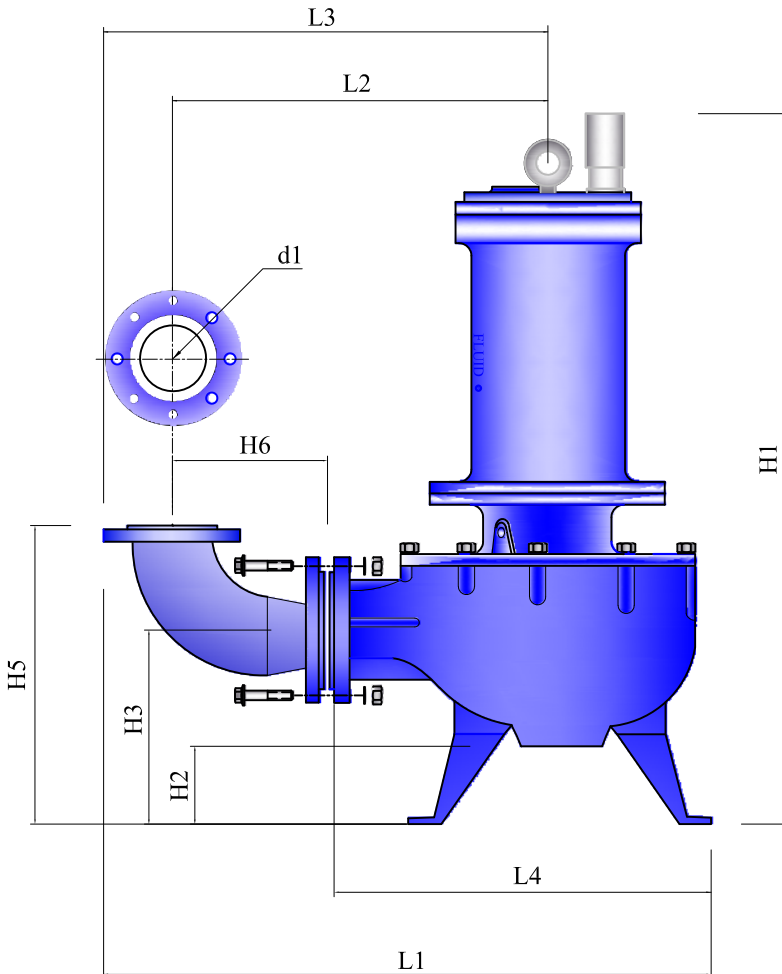




Submersible Pump & Mixer  
Manufacturer.



Fluid VX Range  
Freestanding

VX80 - 40 - 2/4 [Freestanding]	
L1	825.00
L2	245.00
L3	355.00
L4	465.00
H1	900.00
H2	100.00
H3	215.00
H5	350.00
H6	125.00
W1	190.00
W2	170.00
W3	260.00
W4	425.00
W7	360.00
D1	80 NB
Pump Flange	200 Ø x 160 P.C.D.
d1	100 NB
Discharge Flange	220 Ø x 180 P.C.D.
Flange Drilling	BS 4504 PN 16
Weight	150Kg