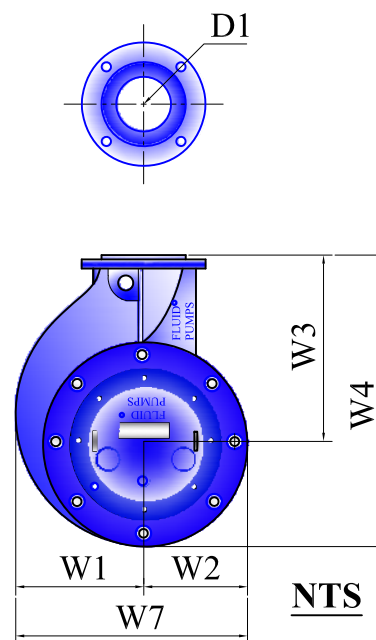
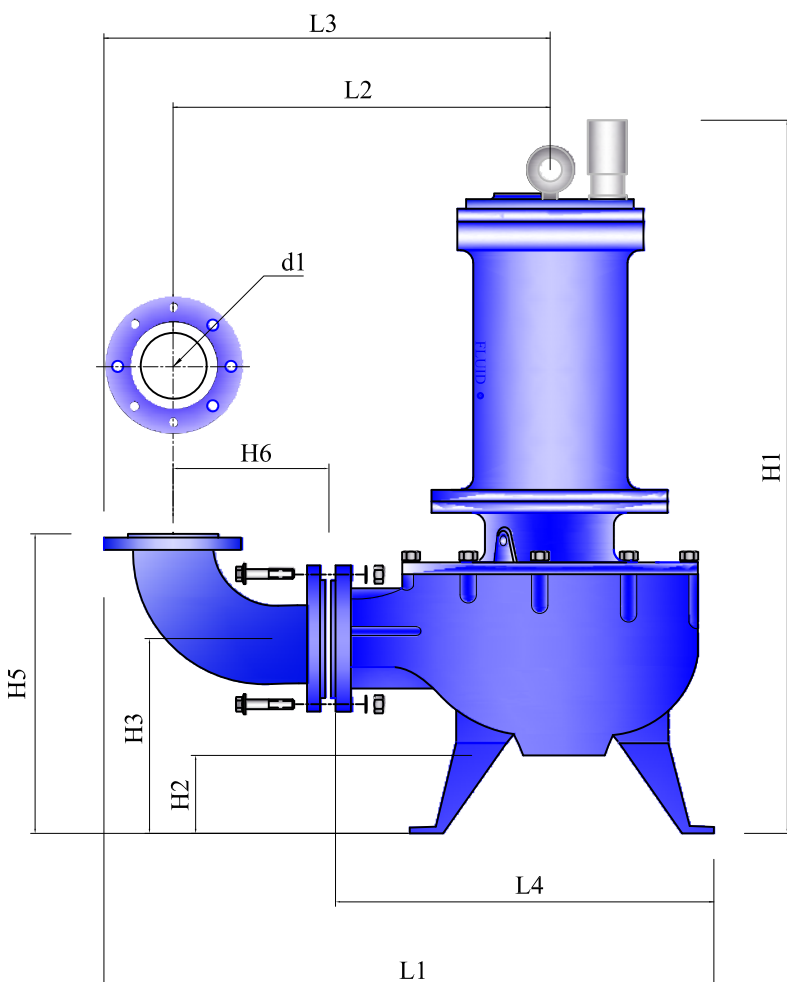




Submersible Pump & Mixer
Manufacturer.



Fluid VX Range

VX65 - 40 - 2/4 [Freestanding]	
L1	760.00
L2	245.00
L3	355.00
L4	465.00
H1	900.00
H2	100.00
H3	215.00
H5	350.00
H6	125.00
W1	170.00
W2	150.00
W3	230.00
W4	390.00
W7	320.00
d1	65 NB
Pump Flange	185 Ø x 145 P.C.D.
d1a	100 NB
Discharge Flange	220 Ø x 180 P.C.D.
Flange Drilling	BS 4504 PN 16
Weight	120Kg