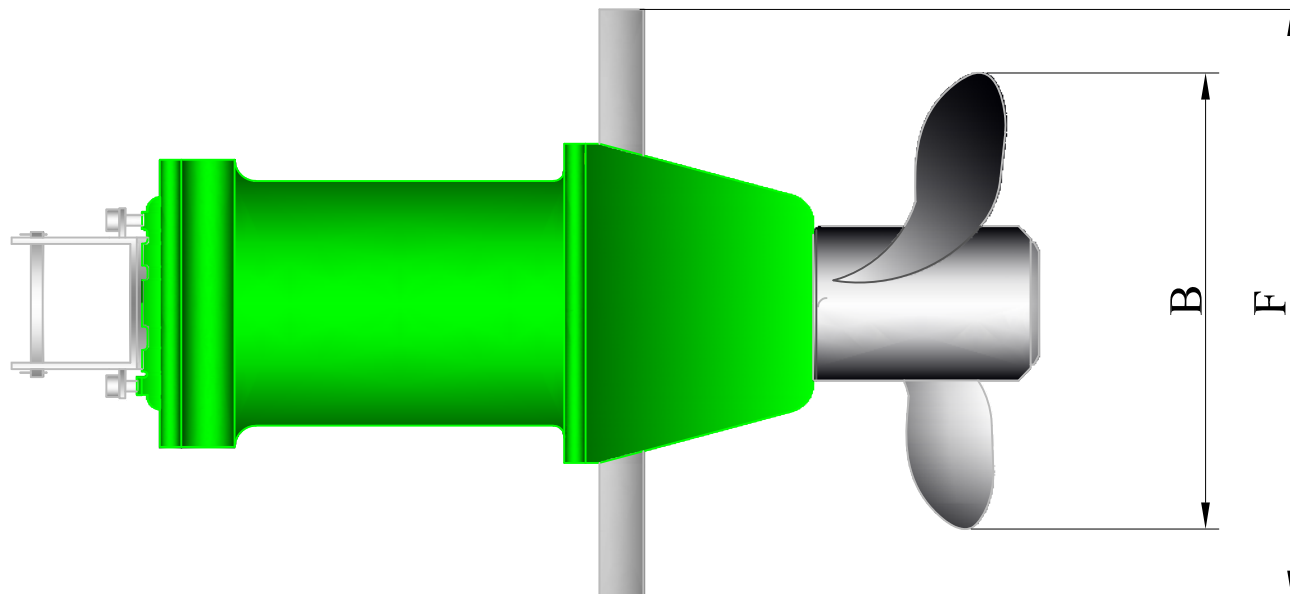
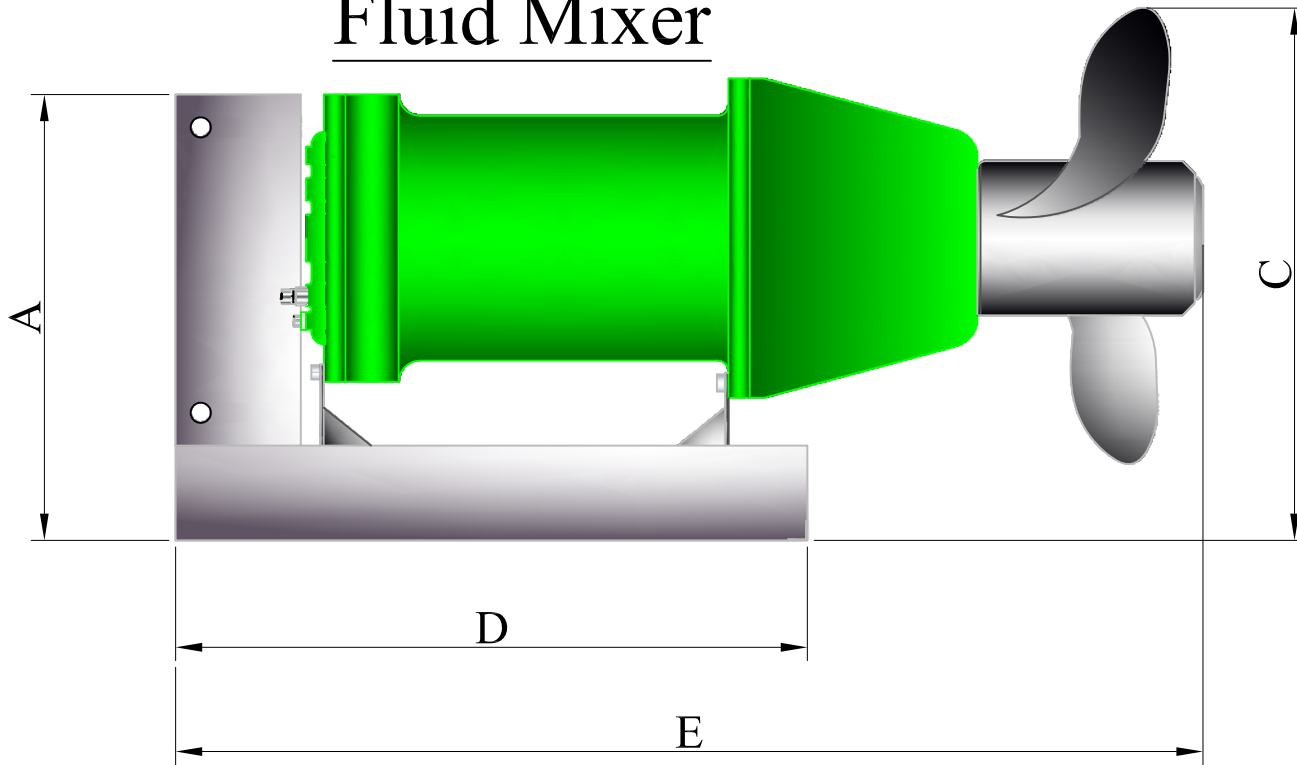


Fluid Mixer



Submersible Pump & Mixer
Manufacturer.

DD 500 - 55 - 12



A: 400

B: 500

C: 530

D: 770

E: 1100

F: 655

Weight: 135 kg.